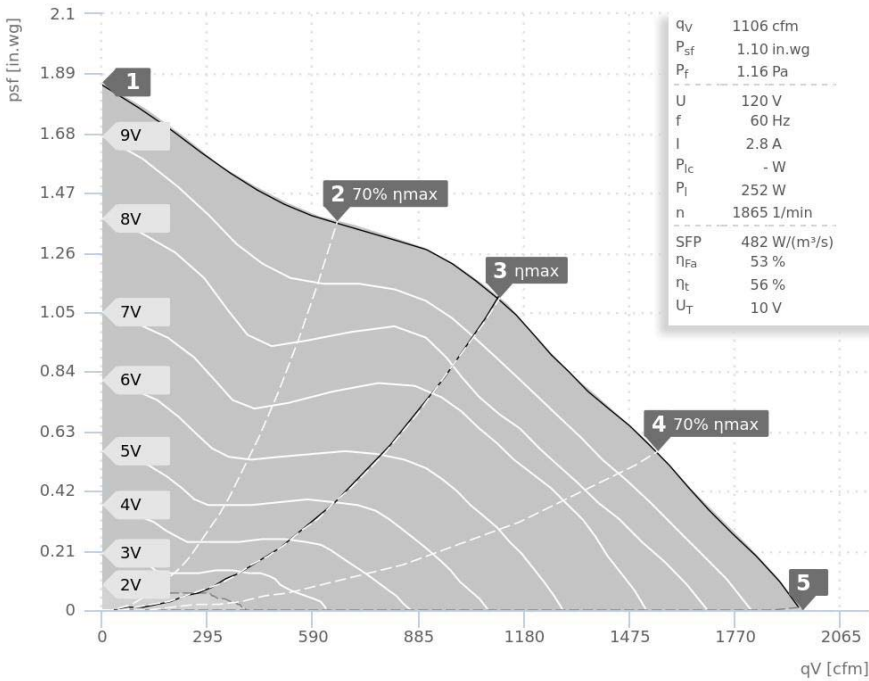


DATA SHEET

14" S-Prime Evo EC | 147752



Operating Point		1	2	3	4	5
Current I	A	2,8	2,9	2,8	2,8	2,9
Power consumption P_1	W	258	269	254	256	265
RPM n	1/min	2095	2225	1869	1902	2023
SPL inlet L_{WA5}	dB(A)	76	73	71	70	73
SPL outlet L_{WA6}	dB(A)	75	73	70	70	73
SPL casing break out L_{WA2}	dB(A)	61	62	58	55	58

Sound power (L_W) dB(A)		Medium Frequency Band								
		Σ	63	125	250	500	1k	2k	4k	8k
Inlet	L_{WA5}	71	35	52	65	65	61	63	62	53
Outlet	L_{WA6}	70	36	56	64	67	62	60	57	46
Casing	L_{WA2}	58	43	42	46	54	51	42	39	28

14" S-Prime Evo EC 147752	
Voltage U_N	120 V 1~
Current I_{max}	3,1 A
Ambient temperature t_A	40 °C
Medium temperatures t_M	40 °C
Speed Control	0-10V
Motor protection	TEC
Insulation class motor	F
Weight	17,1 kg
Poles	-
IP motor	IP30
IP terminal box	IP44
Min. operating temperature	-30 °C

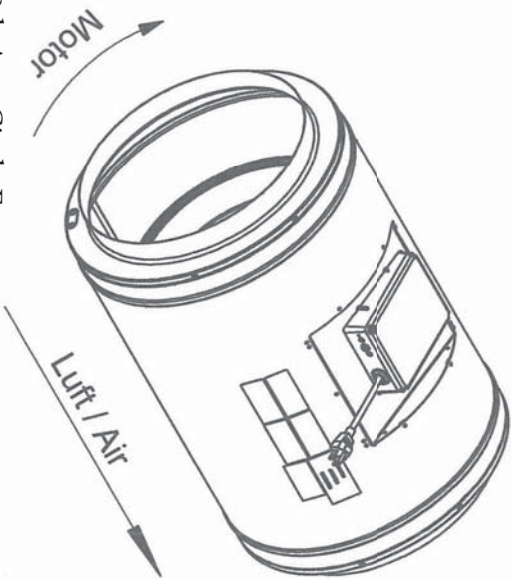
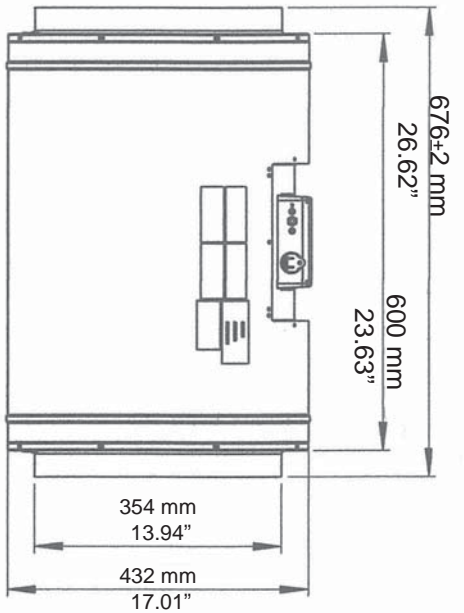
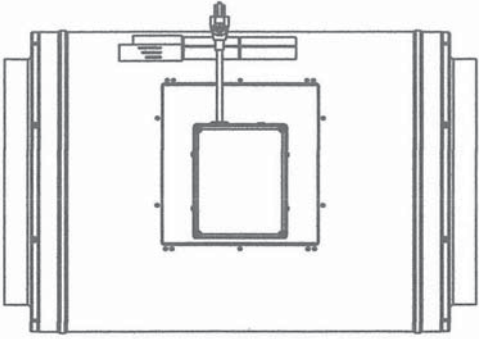
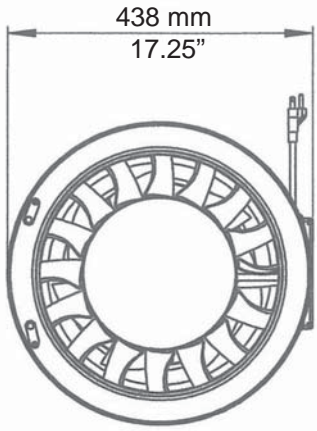
Ruck Air Movement - Master Series by



2082 58th Ave. Circle E.
Bradenton, FL 34203

Phone: 941.739.0879
Fax: 941.739.0881

www.mastervent.com marion.pye@mastervent.com



MASTER VENTILATION
PRODUCTS, INC.

www.mastervent.com
marion.pye@mastervent.com

2082 58th Ave. Circle E.
Bradenton, FL 34203

Phone: 941.739.0879
Fax: 941.739.0881

14" S-Prime EVO EC 147752



SUBMITTAL DATA and SPECIFICATIONS for MVP/RAM SERIES

SERIES: Mixed Flow

S-Prime EVO EC Models

Application: Inline Mixed Flow Fans/Blowers with Sound Insulation designed for Whisper Quiet supply/exhaust applications in Residential, Commercial, Light Industrial and OEM Market.

Manufacturer: Ruck (EU)

Material of Construction: All models shall be constructed Galvanized Steel for the Housing and Impeller. All housings shall include Sound Insulation for very low sound.

Impeller: Impeller shall be Precision Computer Designed Efficient Mixed Flow Style.

Material Temperature Limitations: Shall be 40C/104F Ambient and Medium.

Motors: Shall be energy efficient EC motors and Speed Controllable with 0 to 10V DC Signals. EC Motors shall be 120V /1/60 Hz AC for Models 6” S-Prime EVO EC through 14” S-Prime EVO EC and 240V/1/60 Hz AC for Model 14” S-Prime EVO EC HO. Motors shall be rated Continuous Duty with sealed for life Maintenance Free Ball Bearings. Motors shall Thermally Protected. Motor shall be in airstream for efficient heat dissipation and will be encased in Housing Material of Construction.

Mounting Bracket: Shall be included and integral with Each Model as Standard.

Safety Certifications: All fans shall conform to ANSI/UL 507 Standard and Certified to Canada Standard C22,2 NO. 113. Intertek 5014371. Fans shall bear the C ETL US Mark on Fan Label.

Performance and Sound Certification: Shall be certified to ISO 5801 Standards.

PROJECT				ARCHITECT				
CONTRACTOR		DATE	SUBMITTED BY		ENGINEER			
SPECIFICATION								
Fan Position	Model #	CFM	In. WG	RPM	Watts	Voltage / Phase	Qty	Accessories

WARNING: DO NOT USE IN HAZARDOUS ENVIRONMENTS WHERE FAN’S ELECTRICAL SYSTEM COULD PROVIDE IGNITION TO COMBUSTIBLE OR FLAMMABLE MATERIALS!